



## Foundation Requirements for Residential Projects and Accessory Structures (Approved March 2022)

### BACKGROUND:

1. Section R401.4 of 2019 California Residential Code (CRC) requires a soils test to determine the soil's characteristics if expansive soils are likely to be present.
2. Section 1803.5.11 of 2019 California Building Code (CBC) requires a "geotechnical investigation" for any structure determined to be in Seismic Design Category C, D, E, or F in accordance with Section 1613.
3. Exception to Section 1803.2 states, "The building official shall be permitted to waive the requirement for a geotechnical investigation where satisfactory data from adjacent areas is available that demonstrates an investigation is not necessary for any of the conditions in Sections 1803.5.1 through 1803.5.6, and Sections 1803.5.10 and 1803.5.11."

### POLICY:

Since majority of the Orange County is located in Seismic Design Category D and due to the presence of expansive soil in some county areas, this policy is developed to comply with the 2019 CRC and CBC.

Geotechnical investigation report is required for all projects except as prescribed below.

### Exception:

1. One story room addition(s) to a single-family dwelling/accessory dwelling unit (SFD/ADU) up to 1,200 sf of individual areas located in non-liquefaction area.
2. One story detached SFD/ADU, or accessory structure up to 1,200 sf located in non-liquefaction area.
3. One story room addition(s) to a SFD/ADU up to 500 sf of individual areas located in liquefaction area.
4. (a) Room addition(s) to a SFD/ADU larger than 500 sf of individual areas but not more than 1,200 sf located in liquefaction area shall require 4' of over excavation.  
(b) Detached accessory structure or SFD/ADU larger than 500 square feet but not more than 1,200 sf located in liquefaction area shall require 4' of over excavation.
5. One story detached accessory structure up to 500 sf located in liquefaction area.
6. Second story addition above existing first floor within the footprint of existing dwelling. For item 6, a letter from a California Licensed Geotechnical Engineer or Civil Engineer practicing soil engineering is required, stating the condition of existing foundation and supporting subgrade soils and providing foundation recommendations due to the added vertical and lateral loads from the proposed second story addition.



## Foundation Requirements for Residential Projects and Accessory Structures

Exempted projects as described above in item 1 through 5 shall follow the alternate method as outlined below in lieu of geotechnical investigation report provided minimum foundation clearance from slope is maintained based on Section 1808.7, R403.1.7, or local Grading Code, whichever is more restrictive:

### A. For slab on grade construction:

- Scarify top 12” or recompact 4’ over excavation prior to trenching for the utility and/or foundation. 90% compaction report is required at the time of foundation inspection. Damp proofing, base course and pre-saturation are required.
- Provide 5” slab on grade reinforced with a #4 at 18” on centers each way over 4” base of ½” or larger clean aggregate with 10 mil vapor retarder in direct contact with concrete. Slab shall be tied-in to continuous 12” wide X 24” (minimum embedment into firm soil) foundation.
- Continuous foundation must be reinforced with 2 #5 (or 3 #4) top and bottom.

See slab on grade foundation **detail ‘A’** below for additional information.

### B. For raised foundation construction:

- Provide continuous foundation with 12” wide X 24” (minimum embedment into firm soil) around the perimeter of the addition.
- Continuous foundation must be reinforced with 2 #5 (or 3 #4) top and bottom.
- Provide 18” (minimum embedment) for all interior pier footing.

See raised floor foundation **detail ‘B’** below for additional information.

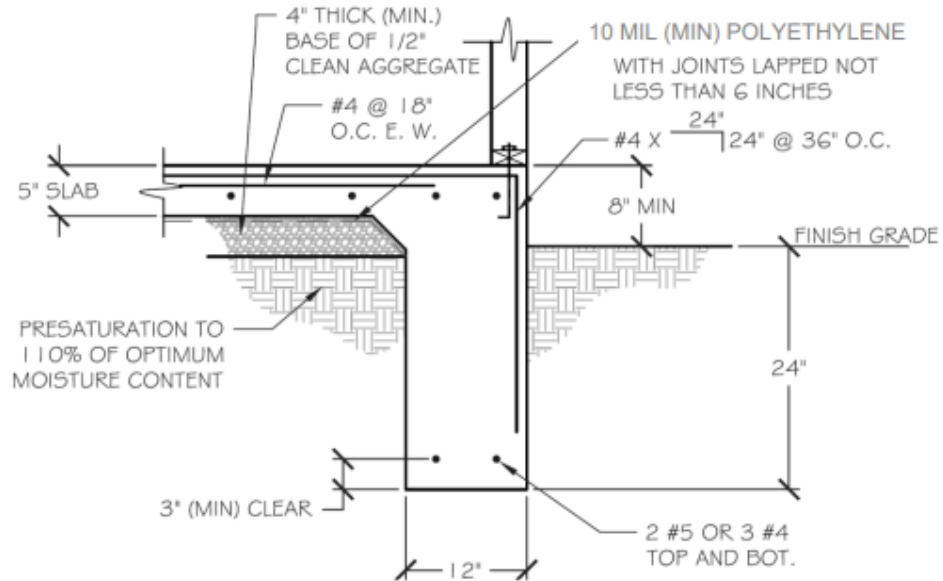
Note: All concrete shall be  $f_c' = 4,500$  psi (minimum) with type V cement maximum water cement ratio of 0.45. No special inspection required if concrete truck mix ticket is provided.

**This policy does not apply to projects that require grading plans and permit per Grading Code.**



## Foundation Requirements for Residential Projects and Accessory Structures

### SLAB ON GRADE FOUNDATION DETAIL A



### RAISED FLOOR FOUNDATION DETAIL B

